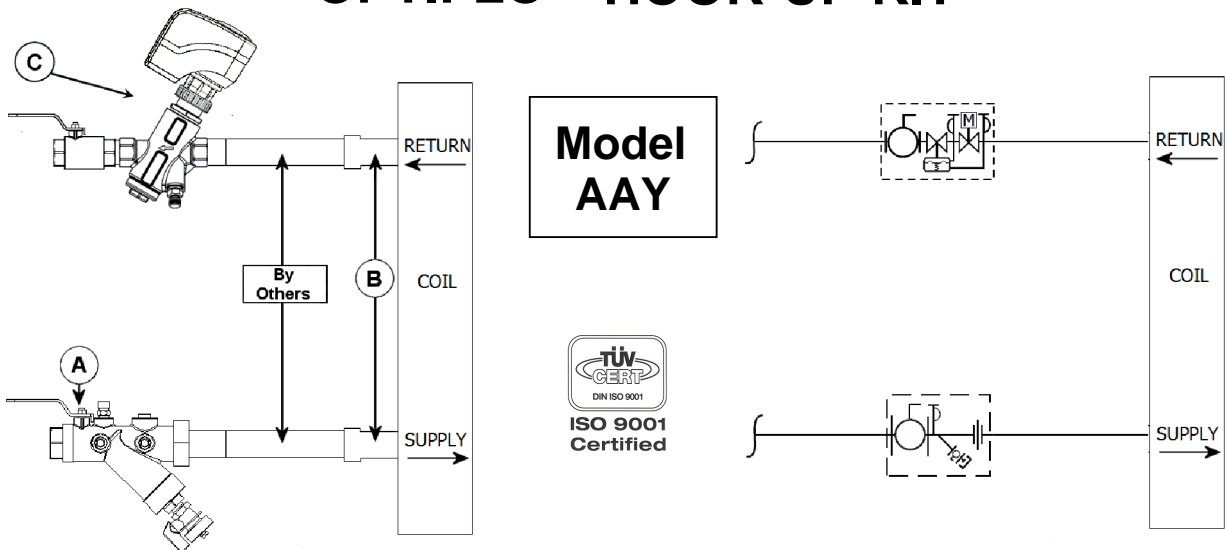


OPTIFLO™ HOOK-UP KIT



**Model
AA**



The Bell & Gossett AAY Valve Kit is a packaged and partially pre-assembled collection of common components required for commissioning a terminal unit.

Fill this form to supply all the information required to select the kit components. For pricing, all that is required is the kit model number and the flow required at the terminal unit(s). We will be glad to help you select the best kit to meet your requirements. Print this page, complete as much information as possible and fax to us for a fast quote.

Ballon	Description	Inlet Connection*	Outlet Connection*
A	Model UBY2 - Combination Wye Strainer and Shut Off Valve with two Pressure / Temperature Port, Drain Valve, Tailpiece and Union End		
B	Connection Size for Coil/Terminal		
C	Model AA - OPTIFLO™ - Pressure Independent Electrically Actuated Temperature Control Valve with Supplied Ball Isolation/Shut Off Valve, two Pressure/Temperature Ports, Fixed Female and NPT Threaded Body.		

* Make sure to specify size, NPT(N) or sweat(S), and also male (M) or female(F). Available in sizes ½" to 2".

OPTIFLO™ valves available in sizes ½" to 1¼".

Number of kits required in this configuration: _____ Terminal unit flow (GPM): _____

Tagging information: _____

Job name: _____ Job location: _____

Your name: _____ Your company: _____

Telephone: _____ Fax: _____

Cell: _____ Email: _____

Your B&G Distributor: _____

Notes: _____

Wallace Eannace Associates, Inc.
 NY - Tel. 516-454-9306 - Fax 516-454-9307
 NJ - Tel. 201-812-7660 - Fax 201-891-4298
WEA-INC.COM

 ITT Industries
Bell & Gossett

© Copyright 2006 ITT Industries, Inc.
 © Copyright 2009 Wallace Eannace Associates, Inc.